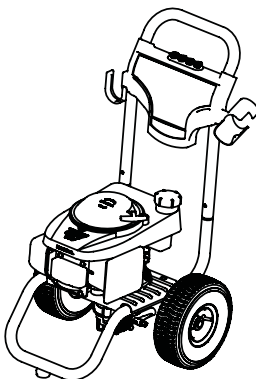


ITEM	PART NO	DESCRIPTION	QTY.
1	7106858	FRAME, SERVICE ASSEMBLY, RED	1
2	7104116	HANDLE, ASSY WITH BONNET, NOZZLE STRIP & LABEL	1
†	2.1	HANDLE, BENT TUBE RED	1
†	2.2	7105906 BONNET, SERVICE ASSEMBLY WITH LABELS	1
†	2.3	SCREW, 1/4-20 TORX PANHEAD	2
	3	7104047 ENGINE SERVICE ASSEMBLY WITH LABELS, HONDA GCV160	1
	4	7104174 KEY, SHAFT 3/16SQ X 1-1/4	1
	5	7105466 OEM PUMP SERVICE ASSEMBLY, 3000PSI @2.4GPM	1
¶	5.1	510003 OEM PUMP, 3000PSI @2.4GPM	1
†	5.2	CAP, UNLOADER COVER	1
†	5.3	BOLT, 5/16"-18 x 2" FLANGE	3
†	5.4	NUT, 5/16"-18 WHIZ	3
	6	7103292 FOOT KIT, RUBBER FOOT AND SCREW	1
†	6.1	FOOT, RUBBER 1.5 X 5/16	1
†	6.2	SCREW, 1/4 TORX PANHEAD	1
	7	7102122 BUTTON, SNAP	2
	8	7103776 HARDWARE KIT, ENGINE MOUNT	1
†	8.1	BOLT, FLANGE 5/16-18	3
†	8.2	NUT, WHIZ 5/16-18	3
	9	7106805 WHEEL KIT, SERVICE ASSEMBLY	2
†	9.1	WHEEL, 10 x 4 (4.10/3.50-4) BLACK HUB	1
†	9.2	AXLE, STUB Ø.625" X 4.614" ROUND HEAD ZINC PLATED	1
†	9.3	CLIP, E-TYPE 5/8" X 0.042	1
†	9.4	WASHER, 5/8 FLAT	1
	10	7100637 NOZZLE, SET 4 PC 3.0	1
	11	7104847 GUN, 3000PSI @8GPM	1
	12	7103550 LANCE, 16IN, 1/4 QC M(22)	1
	13	7102768 HOSE, 3000PSI BLACK, 1/4 X 25'	1
	14	7101682 SOAP HOSE, 1/4 X 51" CLEAR	1
*	15	7102045 UNIVERSAL NOZZLE CLEANING TOOL	1
*	16	7104572 MANUAL, OWNER'S MSV2623	1
*	17	7105699 BOX, SHIPPING	1

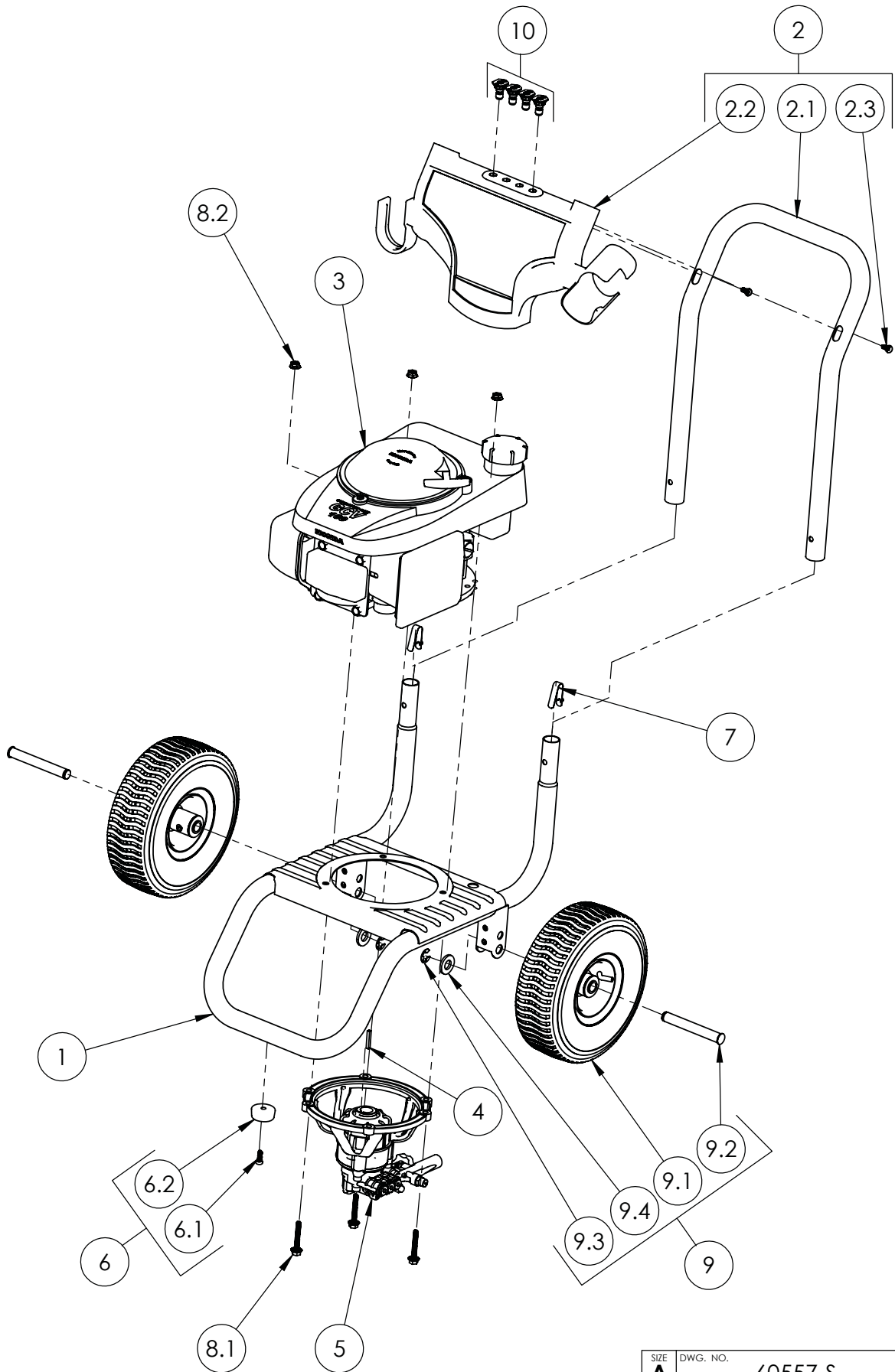
\* NOT SHOWN  
† NOT SOLD SEPARATELY

PUMP IDENTIFICATION TABLE			
MACHINE SERIAL NO.	PUMP TYPE	PUMP KIT NO.	PUMP PART NO.
69420 TO 474825	VERTICAL, 2700PSI @2.3GPM	7106853	7104074
537700 TO PRESENT	OEM PUMP, 3000PSI @2.4GPM	7105466	510003

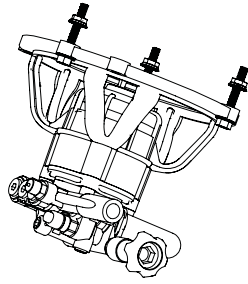


**ONLY THE LATEST VERSION OF THE PUMP IS AVAILABLE FOR REPLACEMENT**

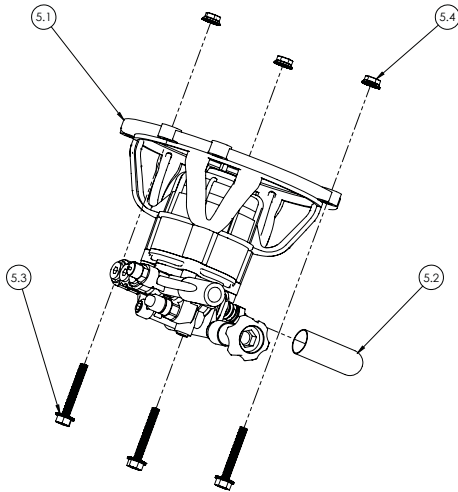
FNA-GROUP		
1265 INDUSTRIAL STREET, DECATUR, AR 72722		
TITLE:		
MSV2623-S		
<small>PROPRIETARY AND CONFIDENTIAL</small> <small>THE INFORMATION CONTAINED IN THIS DRAWING IS THE SOLE PROPERTY OF FNA-GROUP. ANY REPRODUCTION IN PART OR AS A WHOLE WITHOUT THE WRITTEN PERMISSION OF FNA-GROUP IS PROHIBITED.</small>		
<small>DRAWN</small> MAV <small>CHECKED</small> M.G. <small>ENG APPR.</small> JEW <small>MFG APPR.</small> <small>Q.A. APPR.</small> JEP <small>SERVICE APPR.</small> D.H.	<small>NAME</small> MAV <small>DATE</small> 5/07/2013 <small>DATE</small> 5/21/2013 <small>DATE</small> 5/21/2013 <small>DATE</small> 5/21/2013 <small>DATE</small> 5/20/2013	<small>SIZE</small> DWG. NO. <b>60557-S</b> <small>REV.</small> <b>A</b>
SCALE: N/A ECH# DC13-0121		SHEET 1 OF 11



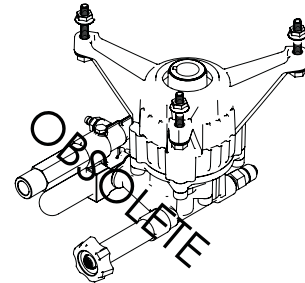
SIZE	DWG. NO.	REV.
<b>A</b>	60557-S	<b>A</b>
SCALE: N/A	ECH# DC13-0121	SHEET 2 OF 11



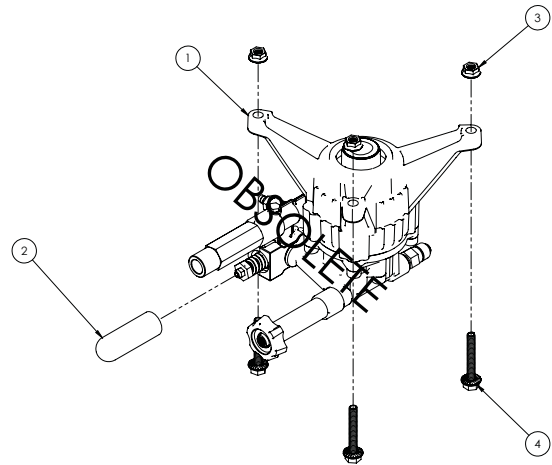
PUMP SERVICE ASSEMBLY  
PART NO. 7105466



ITEM	PART NO	DESCRIPTION	QTY
5.1	S10003	OBM PUMP 3000PSI @2.4GPM	1
5.2	7104122	CAP UNLOADER COVER	1
5.3		BOLT 5/16"-18 X 2" FLANGE	3
5.4		NUT 5/16"-18 WHIZ	3

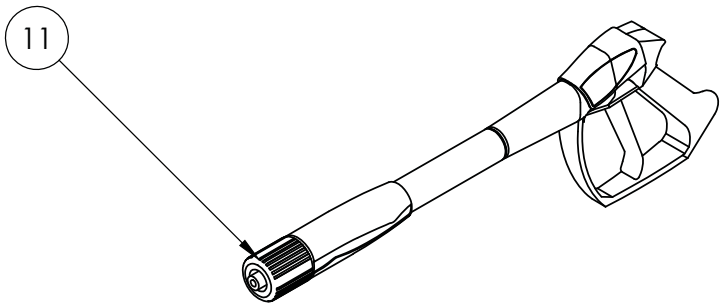


PUMP SERVICE ASSEMBLY  
PART NO. 7106853

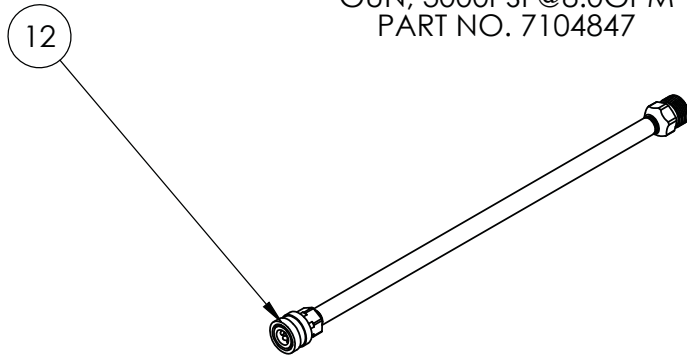


ITEM	PART NO	DESCRIPTION	QTY
1	7104074	PUMP 3000PSI @ 2.4GPM VERTICAL AXIAL WATER INLET KIT	1
		OUTLET EXTENSION KIT	1
		VALVE THERMAL RELIEF 1/4" NPT(M)	1
2		CAP UNLOADER COVER	1
3		NUT 5/16"-18 WHIZ	3
4		BOLT 5/16"-18 X 2" FLANGE	3

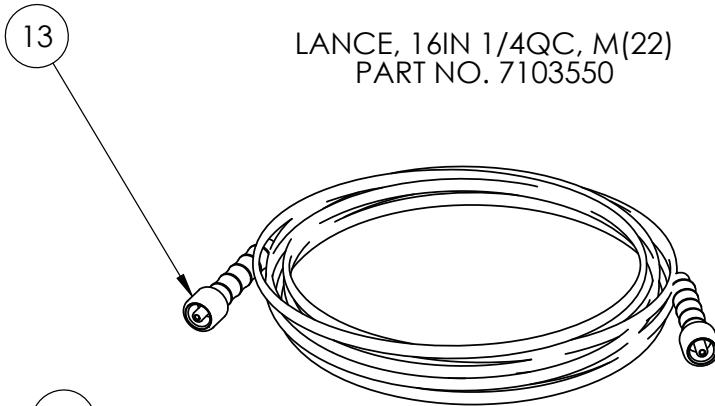
SIZE <b>C</b>	DWG. NO. <b>60557-A</b>	REV <b>A</b>
		ECN - DC13-0121



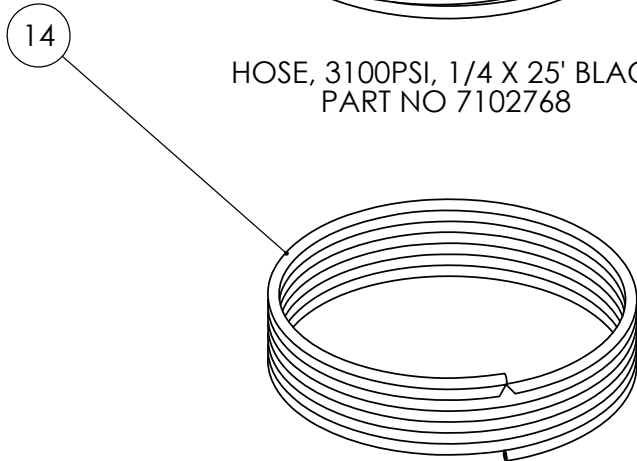
GUN, 3000PSI @8.0GPM  
PART NO. 7104847



LANCE, 16IN 1/4QC, M(22)  
PART NO. 7103550

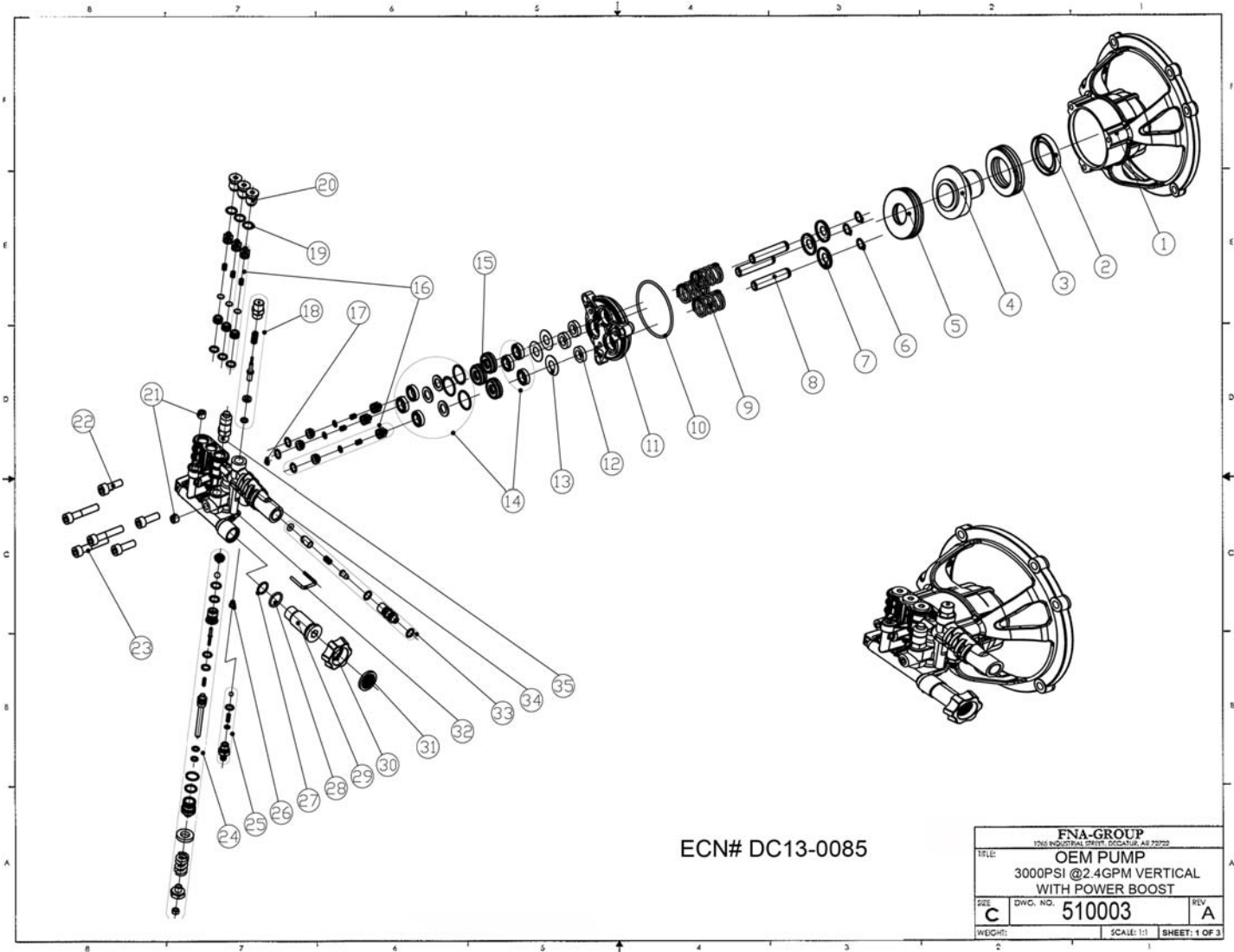


HOSE, 3100PSI, 1/4 X 25' BLACK  
PART NO 7102768



SOAP HOSE, 1/4 X 51", CLEAR  
PART NO. 7101682

SIZE	DWG. NO.	REV.
<b>A</b>	60557-S	<b>A</b>
SCALE: N/A	ECH# DC13-0121	SHEET 4 OF 11



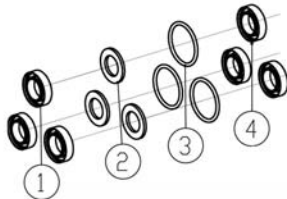
ECN# DC13-0085

<b>FNA-GROUP</b>		
<small>1765 INDUSTRIAL DRIVE, OCCASIE, AR 72022</small>		
<b>TITLE: OEM PUMP</b>		
<b>3000PSI @2.4GPM VERTICAL</b>		
<b>WITH POWER BOOST</b>		
SIZE	DWG. NO.	REV
<b>C</b>	<b>510003</b>	<b>A</b>
WEIGHT:	SCALE: 1:1	SHEET: 1 OF 3



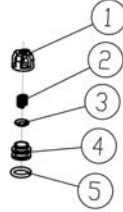
12 PART NO. 7105741

OIL SEAL KIT		
ITEM	QTY	DESCRIPTION
1	3	SEAL, OIL



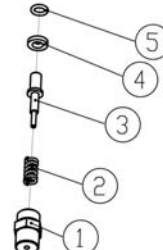
14 PART NO. 7106627

WATER SEAL KIT		
ITEM	QTY	DESCRIPTION
1	3	HIGH PRESSURE SEAL
2	3	BACK RING
3	3	O-RING
4	3	LOW PRESSURE SEAL



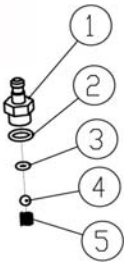
16 PART NO. 7104223

VALVE KIT		
ITEM	QTY	DESCRIPTION
1	6	VALVE CASE
2	6	SPRING
3	6	VALVE PLATE
4	6	VALVE SEAT
5	6	O-RING



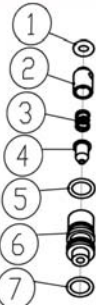
18 PART NO. 7106628

BOOST VALVE KIT		
ITEM	QTY	DESCRIPTION
1	1	VALVE CASE
2	1	VALVE SPRING
3	1	VALVE POLE
4	1	VALVE PLATE
5	1	O-RING



25 PART NO. 7104228

SOAP INJECTOR KIT		
ITEM	QTY	DESCRIPTION
1	1	HOSE BARB
2	1	O-RING
3	1	O-RING
4	1	STEEL BALL
5	1	SPRING

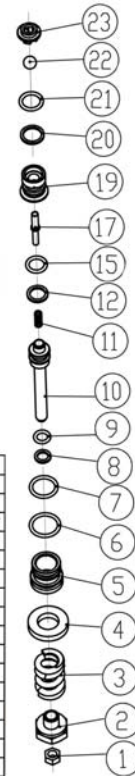


33 PART NO. 7106630

VENTURI TUBE KIT		
ITEM	QTY	DESCRIPTION
1	1	O-RING
2	1	CHECK VALVE CORE
3	1	CHECK VALVE SPRING
4	1	NOZZLE
5	1	O-RING
6	1	VENTURI TUBE
7	1	O-RING

24 PART NO. 7104226

UNLOADER KIT		
ITEM	QTY	DESCRIPTION
1	1	NUT
2	1	ADJUSTING NUT
3	1	SPRING
4	1	SEATING RING
5	1	VALVE SHEATH
6	1	O-RING
7	1	O-RING
8	1	CHECKING RING
9	1	O-RING
10	1	VALVE POLE
11	1	SPRING
12	1	CHECKING RING
15	1	O-RING
17	1	PIN
19	1	UPPER SEAT
20	1	CHECKING RING
21	1	O-RING
22	1	STEEL BALL
23	1	BACK SEAT



ECN# DC13-0085

<b>FNA-GROUP</b>			
<small>1765 INDUSTRIAL DRIVE, OGDEN, UT 84202</small>			
<b>TITLE: OEM PUMP</b>			
<b>3000PSI @2.4GPM VERTICAL</b>			
<b>WITH POWER BOOST</b>			
SIZE	DWG. NO.	REV	
<b>C</b>	<b>510003</b>	<b>A</b>	
WEIGHT:	SCALE: 1:1	SHEET: 2 OF 3	

**510003 PUMP EXPLOSION DRAWING PARTS LIST**

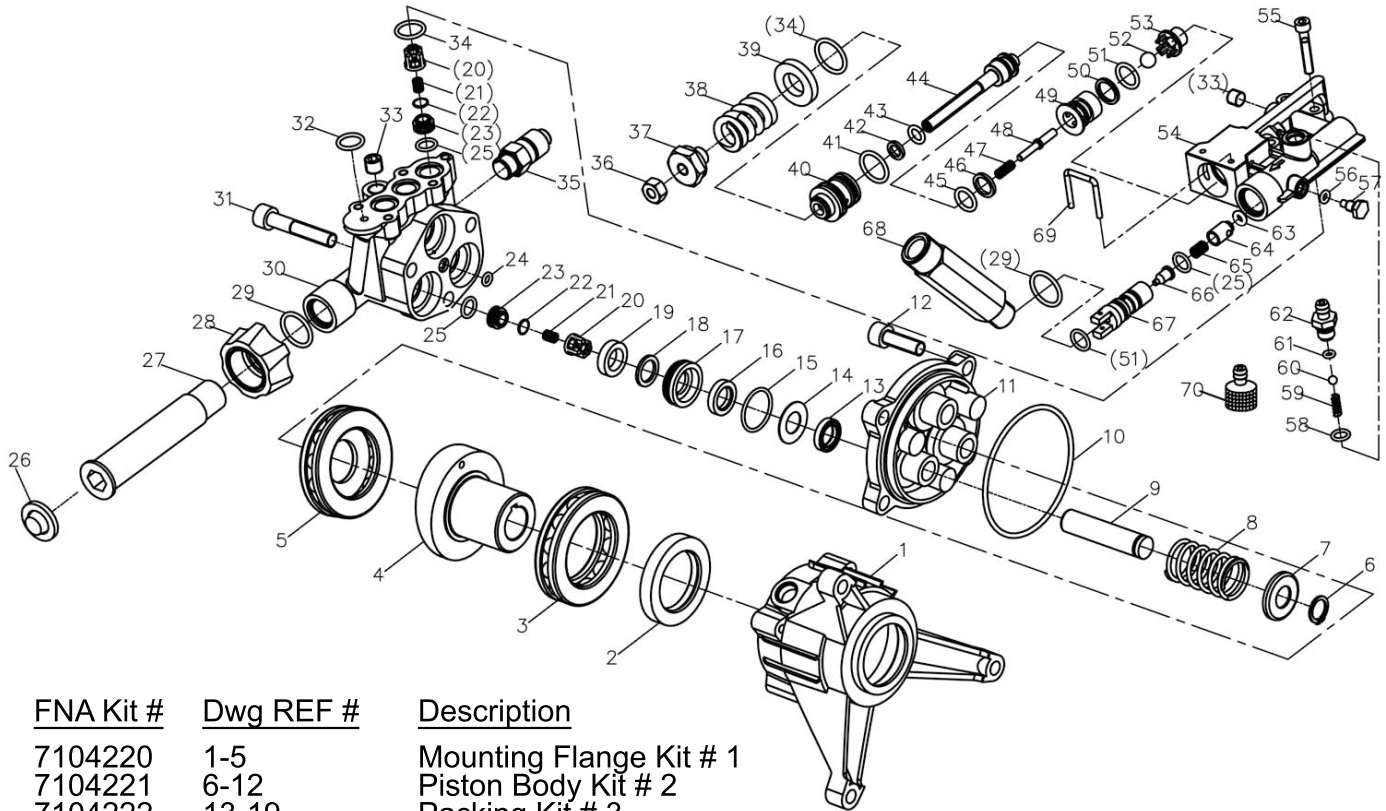
ITEM	PART NO.	PART NAME	QTY PER PUMP	COMMENT
1	7106631	Case	1	
2	7106632	Oil seal	1	
3	7106633	Thrusting Bearing 2	1	
4	7106634	Wobble Plate	1	
5	7106635	Thrusting Bearing 1	1	
6	7106636	Clip	3	
7	7106637	Spring Base	3	
8	7106638	Plunger	3	
9	7106639	Spring	3	
10	7106640	O-Ring	1	
11	7106641	Plunger Base	1	
12	7106741	Oil Seal	3	Oil Seal Kit
13	7106642	Back Ring	3	
14	7106627	High Pressure Water Seal Back Ring O-Ring Low Pressure Water Seal	3	Water Seal Kit
15	7106643	Back Ring	3	
16	7104223	Valve Case Spring Valve Plate Valve Seat O-Ring	6	Valve Kit (INLET AND OUTLET)
17	7106644	O-Ring	1	
18	7106628	Boost Valve Case Boost Valve Spring Boost Valve Pole Boost Valve Plate O-Ring	1	Boost Valve Kit
19	7106645	O-Ring	3	
20	7106646	Plug	3	
21	7106647	Plug	2	
22	7106648	Screw	3	
23	7106649	Screw	3	

**510003 PUMP EXPLOSION DRAWING PARTS LIST**

ITEM	PART NO.	PART NAME	QTY PER PUMP	COMMENT
24	7104226	Nut Adjusting Nut Spring Seating Ring Valve Sheath O-Ring O-Ring Checking Ring O-Ring O-Ring Valve Pole Spring Checking Ring O-Ring Pin Upper Seat Checking Ring O-Ring Steel Ball Back Seat	1	Unloader Kit
25	7104228	Nozzle O-Ring O-Ring Steel Ball Spring	1	Soap Injector Kit
26	7106650	Venturi Tube Back Ring	1	
27	7106651	O-Ring	1	
28	7106652	O-Ring	1	
29	7106653	Inlet Connector	1	
30	7106654	Nut	1	
31	7000123	Filter Gasket	1	
32	7106655	U-Pin	1	
33	7106630	O-Ring Checking Valve Core Checking Valve Spring Nozzle O-Ring Venturi Tube O-Ring	1	Venturi Tube Kit
34	7106656	Pump Head	1	
35	7101359	Thermal Relief Valve	1	

ECN# DC13-0085

<b>FNA-GROUP</b> <small>1765 INDUSTRIAL DRIVE, COVINGTON, LA 70022</small>		
TITLE: <b>OEM PUMP</b> <b>3000PSI @2.4GPM VERTICAL</b> <b>WITH POWER BOOST</b>		
SIZE: <b>C</b>	DWG. NO. <b>510003</b>	REV: <b>A</b>
WEIGHT:	SCALE: 1:1	SHEET: 3 OF 3



<u>FNA Kit #</u>	<u>Dwg REF #</u>	<u>Description</u>
7104220	1-5	Mounting Flange Kit # 1
7104221	6-12	Piston Body Kit # 2
7104222	13-19	Packing Kit # 3
7104223	20-23, 25	Valve Kit # 4
7104224	26-29	Water Inlet Kit # 5
7104225	24, 30-33	Pump Head Kit # 6
7104226	34, 36-48	Unloader Kit # 7
7104227	49-53	By-Pass Valve Kit # 8
7104228	58-62	Soap Injector Kit # 9
7104229	25, 33-67, 69	Manifold Kit # 10
7104230	29, 68	Outlet Extension Kit # 11

**Pump # 7104074**  
**2700 PSI @ 2.3 GPM**

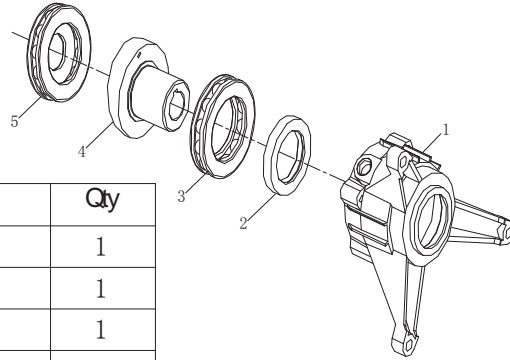
FNA Group, Inc  
 12 - 16 - 10  
 Rev 0



# 7104074

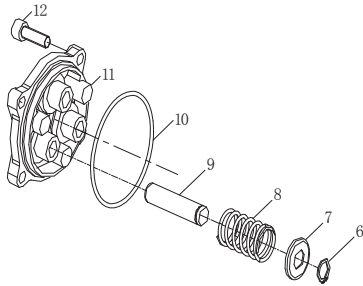
## Kit 1 - Mounting Flange Kit

No.	Code	Part Description	Qty
1	SPV24/2.3-1	Wobble plate case	1
2	GB13871-1992	Oil seal B35528	1
3	SP24/2.3-9-4	Thrust bearing 2	1
4	SPV24/2.3-2	Wobble plate	1
5	SP24/2.3-9-2	Thrust bearing 1	1



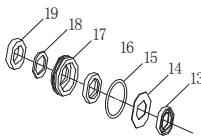
## Kit 2 - Piston body Kit

No.	Code	Part Description	Qty
6	GB/T894.1-1986	Retainer ring 12	3
7	SP24/2.3-5-1	Spring clip	3
8	SP24/2.3-10-2	Backhaul spring	3
9	SP24/2.3-10-3	Piston	3
10	GB/T3452.1-1992	O-ring 73*2.65	1
11	SP24/2.3-5-4	Piston seat	1
12	GB/T70.1-2000	Screw 8*25	4



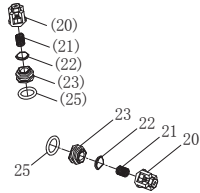
## Kit 3 - Packing Kit

No.	Code	Part Description	Qty
13	SR0258A00	To-and-fro oil seal 12*20*6	3
14	SP24/2.3-5-5	Block washer	3
15	GB/T3452.1-1992	O-ring 22.4*1.8	3
16	SR0257A00	Subsidiary seal washer 12*20*4	3
17	SP24/2.3-1-4	Subsidiary seal seat	3
18	SP24/2.3-1-5	Water seal washer	3
19	SR0256A00	Water seal 12*20*5	3



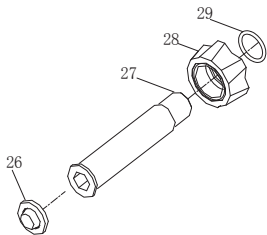
# 7104074

## Kit 4 - Valve Kit



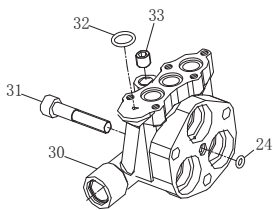
No.	Code	Part Description	Qty
20	SP24/2. 3-1-3-1	Valve cover	6
21	SP24/2. 3-1-3-2	Valve spring	6
22	SP24/2. 3-1-3-3	Valve gasket	6
23	SP24/2. 3-1-3-4	Valve seat	6
25	GB/T3452. 1-1992	O-ring 9*1.8	6

## Kit 5 - Water Inlet Kit



No.	Code	Part Description	Qty
26	SP24/2. 3-7	Water inlet filter	1
27	SPV27/2. 3-1	Water inlet connector	1
28	SP24/2. 3-6	Hand-tight nut	1
29	GB/T3452. 1-1992	O-ring 14*1.8	1

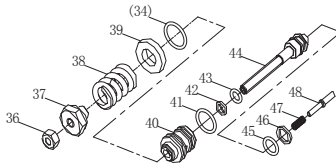
## Kit 6 - Pump Head Kit



No.	Code	Part Description	Qty
24	GB/T3452. 1-1992	O-ring 4.5*1.8	1
30	SP24/2. 3-1-1	Manifold	1
31	GB/T70. 1-2000	Screw 8*45	3
32	EKM	O-ring 12*2	1
33	SP24/2. 3-1-2	Block 1	1

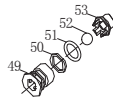
# 7104074

## Kit 7 - Unloader Kit



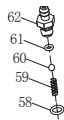
No.	Code	Part Description	Qty
34	EKM	O-ring 14*2	1
36	GB/T6170-2000	Nut M6	1
37	SP24/2.3-2-7-9	Regulating nut	1
38	SP24/2.3-2-7-8	Regulating spring	1
39	SP24/2.3-2-7-5	Fastness washer	1
40	SP24/2.3-2-7-4	Valve sheath	1
41	GB/T3452.1-1992	O-ring 12.8*1.8	1
42	SP24/2.3-2-7-6	Close retainer ring 6.2*9*1.25	1
43	GB/T3452.1-1992	O-ring 6*1.8	1
44	SP24/2.3-2-7-7	Valve rod	1
45	GB/T3452.1-1992	O-ring 8.5*1.8	1
46	SP24/2.3-2-7-10	Uncork retainer ring 8.7*11.6*1.25	1
47	SP24/2.3-2-7-11	Peak pin spring	1
48	SP24/2.3-2-7-12	Peak pin	1

## Kit 8 - By-Pass Kit



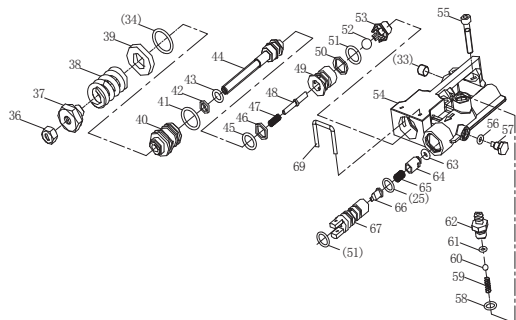
No.	Code	Part Description	Qty
49	SP24/2.3-2-7-2	Upper seat	1
50	SP24/2.3-2-7-3	Uncork retainer ring 10.3*13*1.25	1
51	GB/T3452.1-1992	O-ring 10*1.8	1
52	GB308-77	Steel ball : $\nabla 9$	1
53	SP24/2.3-2-7-1	Lower seat	1

## Kit 9 - Soap Injector Kit



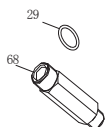
No.	Code	Part Description	Qty
58	GB/T3452.1-1992	O-ring 7.5*1.8	1
59	SP24/2.3-3-2	Injector spring	1
60	GB308-77	steel ball : $\nabla 16$	1
61	GB/T3452.1-1992	O-ring 3.55*1.8	1
62	SP24/2.3-2-3-1	Injector	1

# 7104074



## Kit 10 - Manifold Kit

No.	Code	Part Description	Qty
25	GB/T3452.1-1992	O-ring 9*1.8	1
33	SP24/2.3-1-2	Block 1	1
34	EKM	O-ring 14*2	4
36	GB/T6170-2000	Nut M6	1
37	SP24/2.3-2-7-9	Regulating nut	1
38	SP24/2.3-2-7-8	Regulating spring	1
39	SP24/2.3-2-7-5	Fastness washer	1
40	SP24/2.3-2-7-4	Valve sheath	1
41	GB/T3452.1-1992	O-ring 12.8*1.8	1
42	SP24/2.3-2-7-6	Close retainer ring 6.2*9*1.25	1
43	GB/T3452.1-1992	O-ring 6*1.8	1
44	SP24/2.3-2-7-7	Valve rod	1
45	GB/T3452.1-1992	O-ring 8.5*1.8	1
46	SP24/2.3-2-7-10	Uncork retainer ring 8.7*11.6*1.25	1
47	SP24/2.3-2-7-11	Peak pin spring	1
48	SP24/2.3-2-7-12	Peak pin	1
49	SP24/2.3-2-7-2	Upper seat	1
50	SP24/2.3-2-7-3	Uncork retainer ring 10.3*13*1.25	1
51	GB/T3452.1-1992	O-ring 10*1.8	1
52	GB308-77	Steel ball $\varnothing 9$	1
53	SP24/2.3-2-7-1	Lower seat	1
54	SP24/2.3-2-1	Outlet valve body	1
55	GB/T70.1-2000	Screw M5*30	1
56	EKM	O-ring 4*2	1
57	SP24/2.3-2-5	Block 2	1
58	GB/T3452.1-1992	O-ring 7.5*1.8	1
59	SP24/2.3-3-2	Injector spring	1
60	GB308-77	steel ball $\varnothing 16$	1
61	GB/T3452.1-1992	O-ring 3.55*1.8	1
62	SP24/2.3-2-3-1	Injector	1
63	GB/T3452.1-1992	O-ring 4*2.65	1
64	SP24/2.3-2-2	Unilateral valve core	1
65	SP24/2.3-2-3	Unilateral valve spring	1
66	SP24/2.3-2-4	Nozzle	1
67	SP24/2.3-2-6	Venturitube	1
69	SP24/2.3-2-8	Chemical Filter	1



## Kit 11 - Outlet Extension Kit

No.	Code	Part Description	Qty
29	GB/T3452.1-1992	O-ring 14*1.8	1
68	SPV27/2.3-2	Outlet connector	1